



# Pontiac Coil

2110 Queensway Searcy, AR 72143

Phone 501-268-6877 Website: www.pontiaccoil.com

## Model L-90 DC Solenoid Open Frame, Pull Type

**Pontiac Coil - Arkansas is an ISO 9001:2000 Certified Company**

\*Resistance values are  $\pm 10\%$  at 25°C

| Model Code   | Part No. | Voltage | Duty Cycle   | Power (W) | Resistance ( $\Omega$ )* | Current (A) |
|--------------|----------|---------|--------------|-----------|--------------------------|-------------|
| L-90PL012D-C | F0461A   | 12VDC   | Continuous   | 13        | 11.0                     | 1.1         |
| L-90PL012D-I | F0462A   | 12VDC   | Intermittent | 48        | 3.0                      | 4.0         |
| L-90PL024D-C | F0463A   | 24VDC   | Continuous   | 13        | 44.0                     | 0.6         |
| L-90PL024D-I | F0464A   | 24VDC   | Intermittent | 48        | 12.0                     | 2.0         |

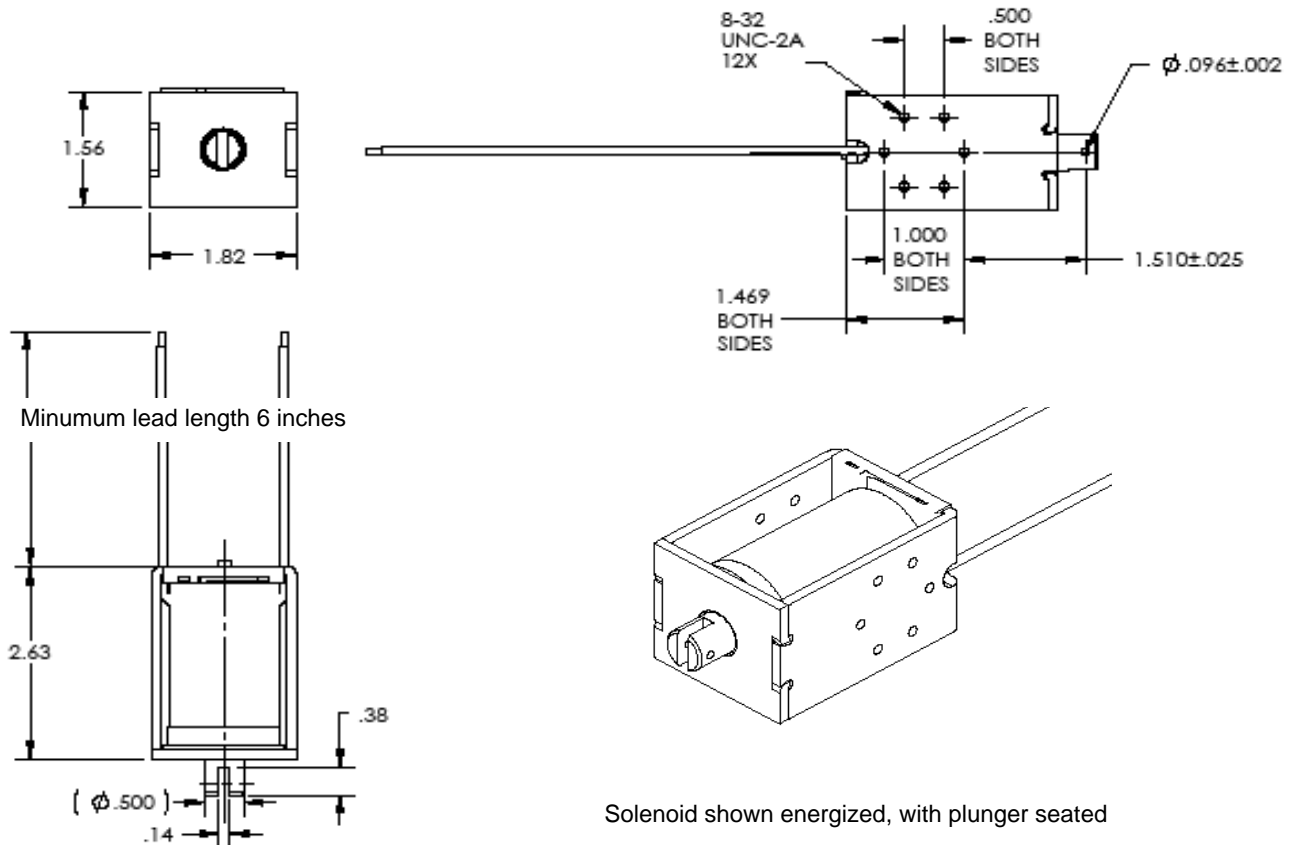
Definition of Duty Cycles:

**Continuous** = indefinite activation; **Intermittent** = 1 minute ON and 3 minutes OFF; **Pulse** = 100 msec. ON and 900 msec. OFF

**Special order options: 6 to 48 volts DC or AC. Consult factory for other available modifications.**

| Stroke (in.):    | Sealed  | 1/8     | 1/4     | 3/8    | 1/2    | 3/4    | 1      | 1-1/4  |
|------------------|---------|---------|---------|--------|--------|--------|--------|--------|
| Cont. Duty force | 212 oz. | 114 oz. | 62 oz.  | 35 oz. | 23 oz. | 13 oz. | 8 oz.  | 5 oz.  |
| Int. Duty force  | 250 oz. | 176 oz. | 131 oz. | 95 oz. | 72 oz. | 44 oz. | 28 oz. | 16 oz. |

Typical force values when operated at 100% rated voltage at 25°C. Derating required for lower voltage and higher temperature.



**Insulation Materials: UL Construction, Class B 130°C**

**Copper magnet wire insulation rated 155°C (class F)**

**Voltage Breakdown Strength: 1500 VAC RMS**

**Life Expectancy: 10 million operations**